



6 Dog Marine Weathertight Door

 **ZHIYOU MARINE**
Marine & Offshore Equipment Supplier

Shanghai Zhiyou Marine & Offshore Equipment Co., Ltd

Web: www.marineoutfittings.com

Email: info@marineoutfittings.com

Tel: +86 21 5645 2367

Brief

Zhiyou Marine 6 dog marine weathertight doors has perfect performance on marine ships above the waterline. You can directly swing the dogs on both sides to open or close door. The marine doors are fabricated from high quality marine steel. And some of the accessories are stainless steel and copper. This simple and durable marine doors are definitely the best choice for all kinds of marine ships.

Specification

Customized design/production is available.

Ready for welding directly to bulkhead or wall.

Sizes are all customized, and ready to fit.

Door leaf thickness are 6mm or 8mm for your selection.

Available in natural finish, primed or coated in accordance with specific requirements.

Other requirements.

Dimensions

Nominal Size	Bulkhead Cutting Size	External Size
1000×500	1100×600	1200×700
1200×500	1300×600	1400×700
1400×500	1500×600	1600×700
1200×600	1300×700	1400×800
1400×600	1500×700	1600×800
1600×650	1700×750	1800×850
1600×700	1700×800	1800×900
1600×750	1700×850	1800×950
1700×600	1800×700	1900×800
1700×700	1800×800	1900×900
1700×750	1800×850	1900×950

*Note: Contained within the sheet above are dimensions for reference only, customized solution or any other requirements please [contact us](#).

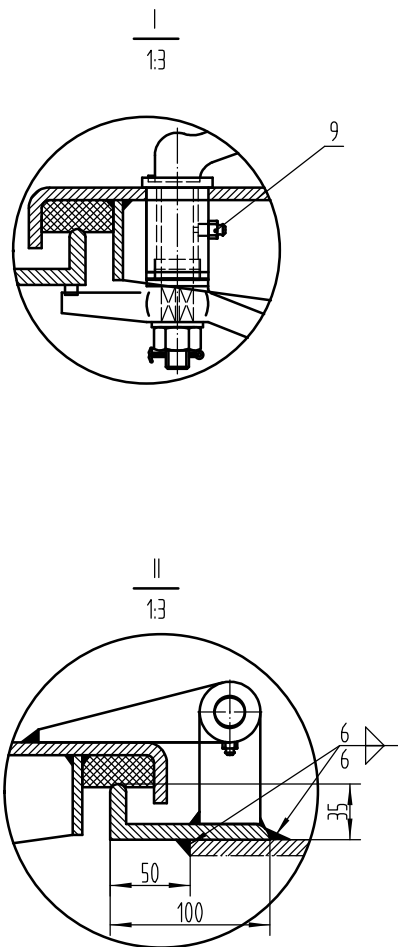
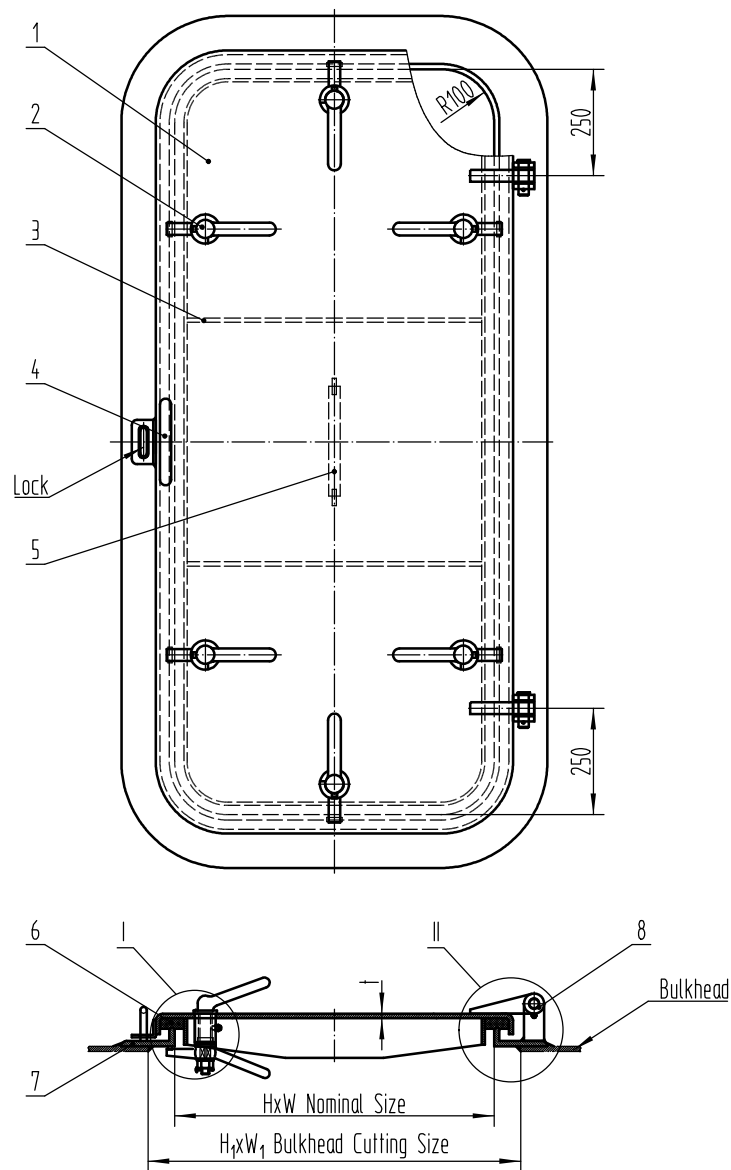


Shanghai Zhiyou Marine & Offshore Equipment Co., Ltd

Web: www.marineoutfittings.com

Email: info@marineoutfittings.com

Tel: +86 21 5645 2367



Note:

- No exist burr and crack on door leaf, door frame.
- Sandblast (Sa2.5) to remove the rust and dirty and pray pure epoxy primer 1 layer.
- Ensure the door normally close, turning mobility, grease neutral lubricate.
- Hosing test to be carried out after door completed. Diammer of the nozzle is not less than $\phi 12.5\text{mm}$, the pressure is not less than 0.25MPa , the distance is not less than 15m , no leak on the side of the door is qualified.
- This drawing shows right open, left open is symmetry.

9	Grease Nipple	8	Copper	M10x1
8	Hinges	2	Assembly	Pin Shaft SUS304
7	Door Frame	1	Marine Steel	100x35x10
6	Sealing	1	Rubber	45x20
5	Force Tube	1	Marine Steel	Q235-B
4	Handle	1	Marine Steel	Q235-B
3	Stiffeners	2	Marine Steel	Q235-B
2	Clips	6	Marine Steel	Q235-B
1	Door Leaf	1	Marine Steel	6/8

NO.	NAME	QTY.	MATERIAL	REMARK
-----	------	------	----------	--------

1				
Rev	Description			Date
Note	All dimensions are in millimeters unless otherwise specified.			

ZHIYOU MARINE

Shanghai Zhiyou Marine & Offshore Equipment Co., Ltd
 Room 405, Fudan Software Park, 188 Changyi Road, Shanghai China.
 Tel: +86-21-5645-2367
 Email: sales@zhiyoumarine.com info@marineoutfittings.com
 Web: www.zhiyoumarine.com www.marineoutfittings.com

Dwg Name	6 Dog Marine Weathertight Door			
	Scale	1:10 @A3	Dwg No.	ZY262WP-180411
	Sheet	1/1	GB/T 3477-2008	